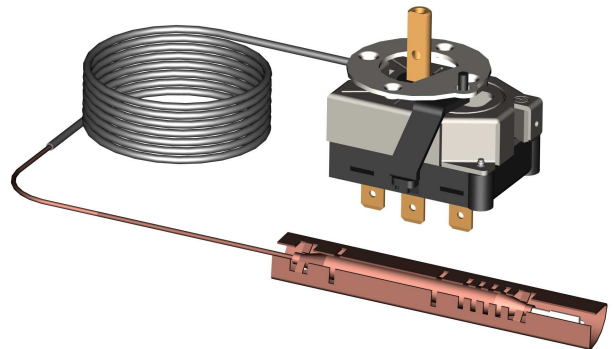


Single-pole



Application

For heat generators with temperatures up to 300°C

Features

Electro-mechanical control thermostat (TR) and temperature limiter (TW) with capillary sensor approved to EN 14597 and EN 60730-1/2-9

- Single-pole micro switch with on/off or changeover switch
- With or without limiter test button
- Sensing element with fast reaction, time factor of sensing element better than EN 14597 und EN 60730-1/2-9
- Temperature compensated switching head
- Operation type 2B (EN 60730-1/2-9)
- Environmental condition for normal pollution
- RoHS-conform
- DIN CERTCO Registernummer: TR1107

Technical data

Switching system:

Endurance class (operations)	8806: 250.000 8807: 100.000	
Nominal voltage/current 240 V AC	1-2 16 (2,6) A	1-4 4 (0.6) A
Protection against electric shock	for incorporation in class I equipment I	
Protection standard of housing	IP00 (EN 60 529)	
Overvoltage category	II	

Range of application:

Setting range	0 ... 300°C
Switching differential	3 ... 10 K
Sensing element temperatur	$t_{max} + 25K$
Ambiant temperature at switching head	max. 80 °C (T80)
Storage and transport temperature	-25...+60 °C

Calibration:

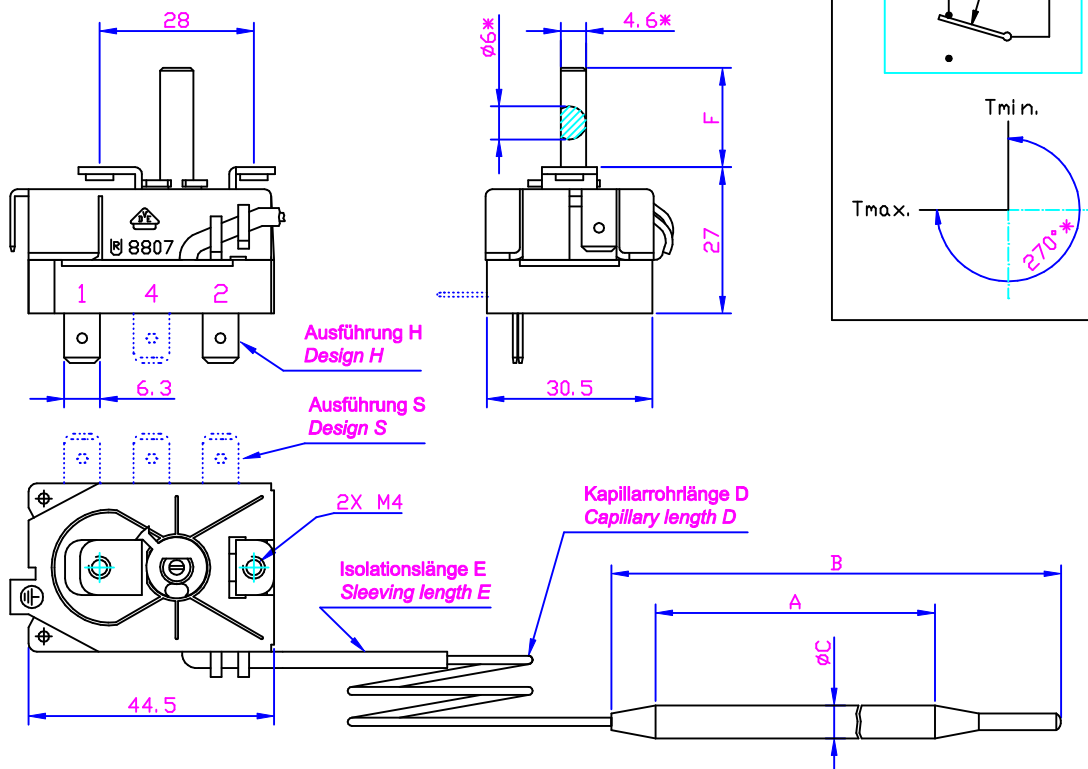
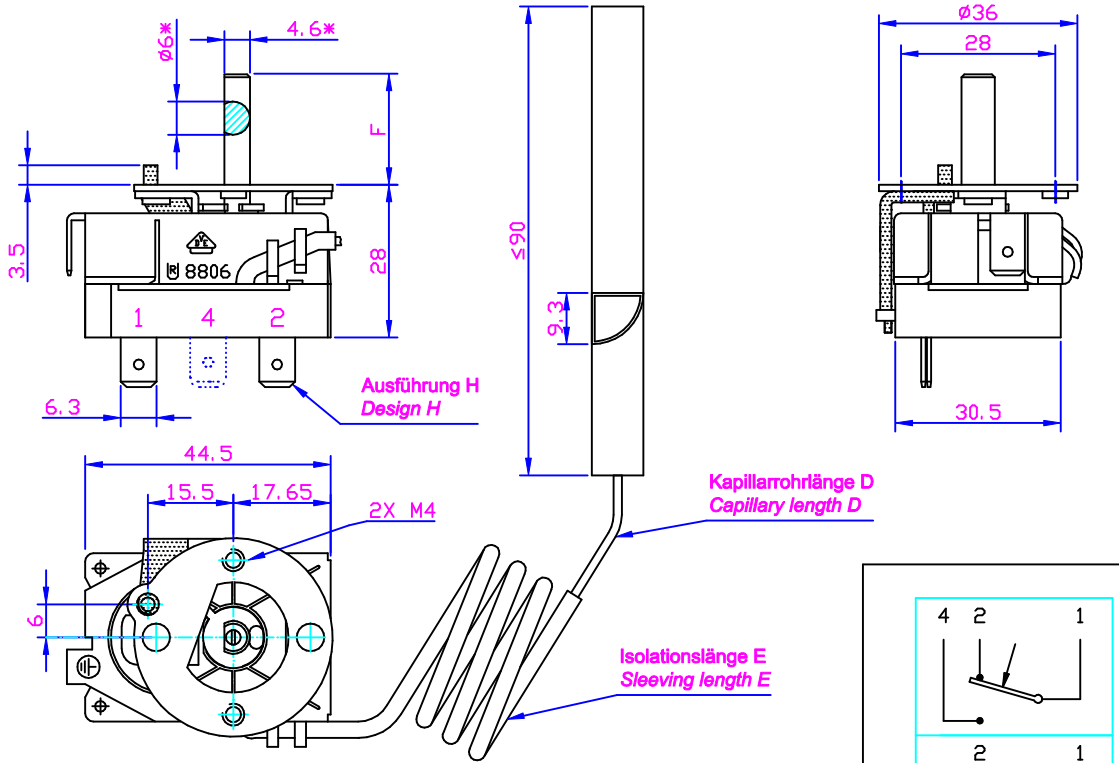
Calibrated for ambient temperature at switching head and capillary tube	50°C (Tu50 according EN 14597)
Calibration tolerance	$\pm 2 K \dots \pm 5 K$
Drift	$\pm 2 \%$
Time factor in water / in oil	< 45 s / < 60 s

Design:

Capillary und sensing element	copper / stainless steel
Capillary length	500 ... 3500 mm
Phial forms	
• round, diameter	3, 4, 5, 6, 6.5, 7, 8, 9.5, 10, 11, 12 mm
• half-, third-, quater circle	
Diaphragm	stainless steel
Connection terminals	Tab terminal A6.3x0.8 bent or straight
Earthing terminal	Tab terminal A6.3x0.8

Temperaturregler Typ 8806 - 8807

Control thermostat type 8806 - 8807



Temperaturbereich und Schaittdifferenz sowie Abmessungen A - F und die mit * gekennzeichneten Maße sind nach Kundenwunsch in Grenzen veränderbar.
 Temperature range and temperature differential as well as the dimensions A - E and marked with * within certain limits adjustable to customers specific requirements